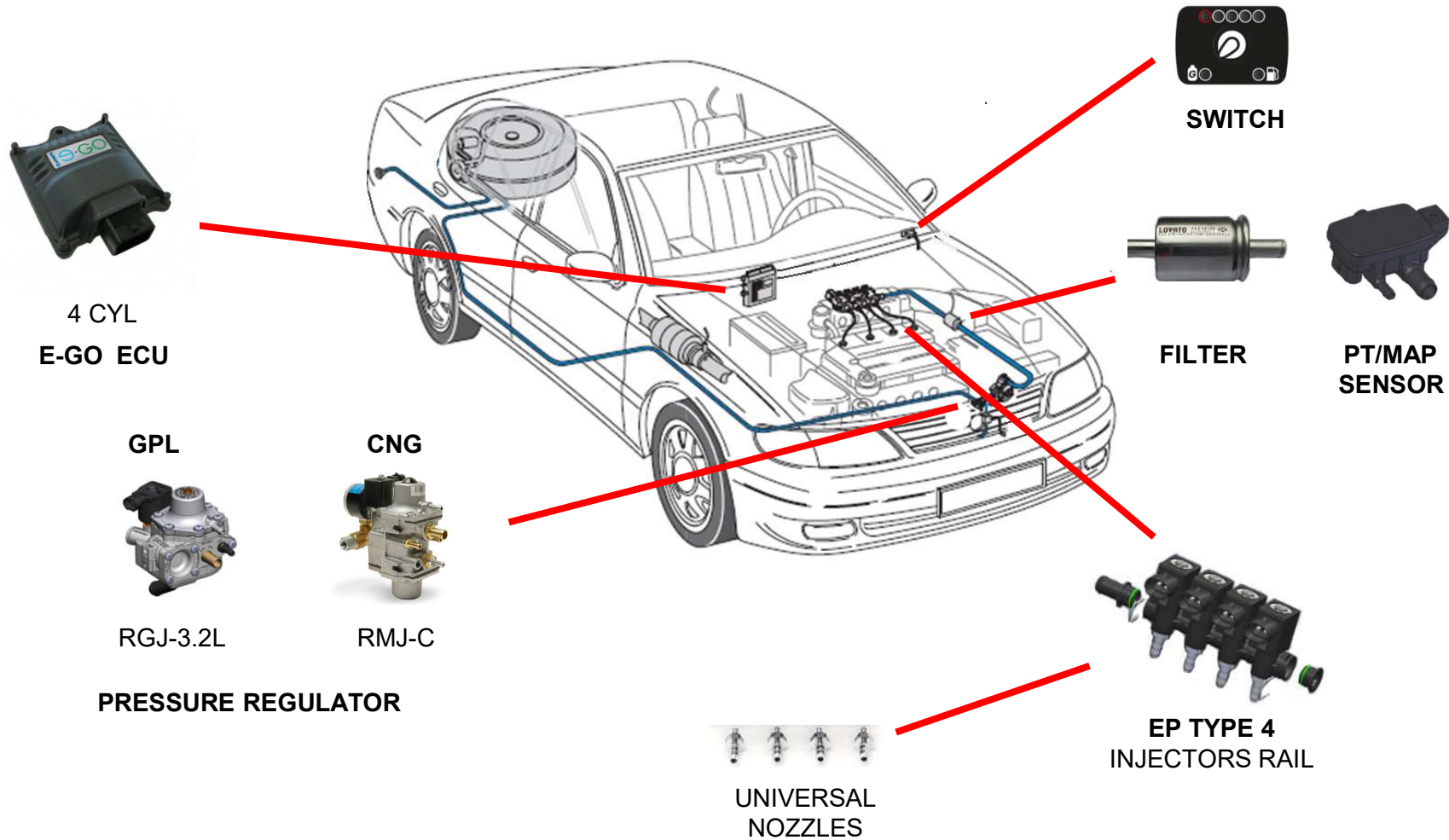


# INJECTION SYSTEM NEW PORTFOLIO - 2017



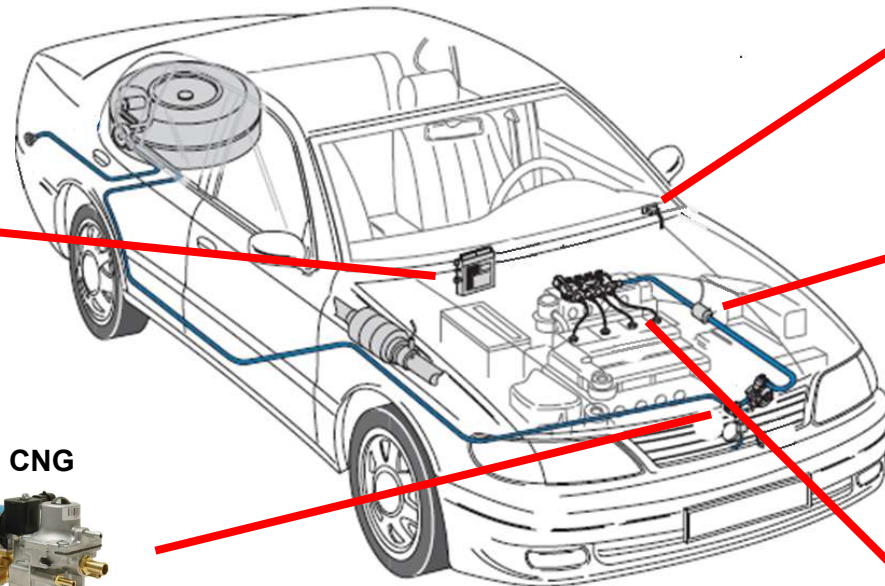
# E-GO: Entry Level



# SMART ExR: medium low



PRESSURE REGULATOR



SWITCH



FILTER



PT/MAP  
SENSOR

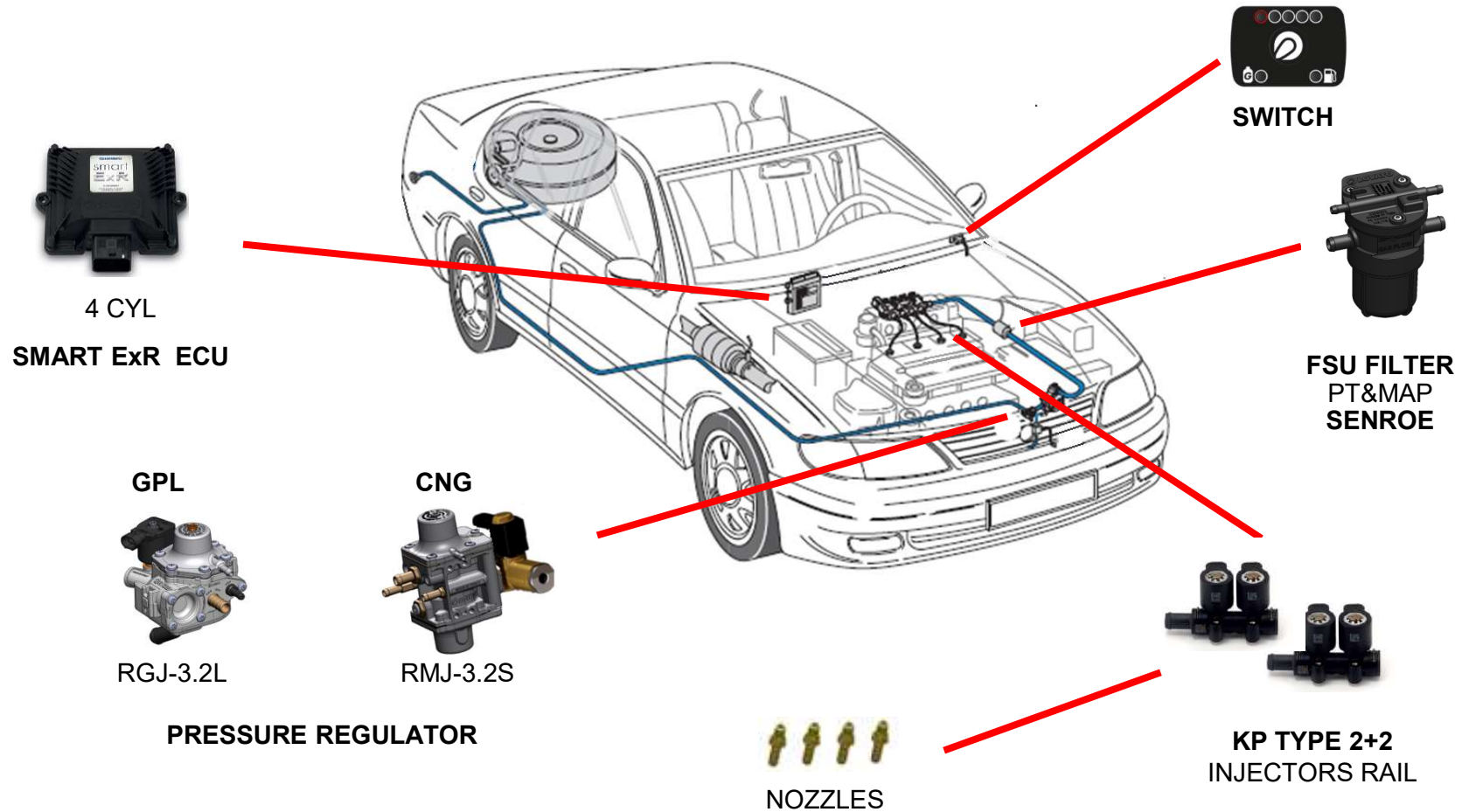


NOZZLES

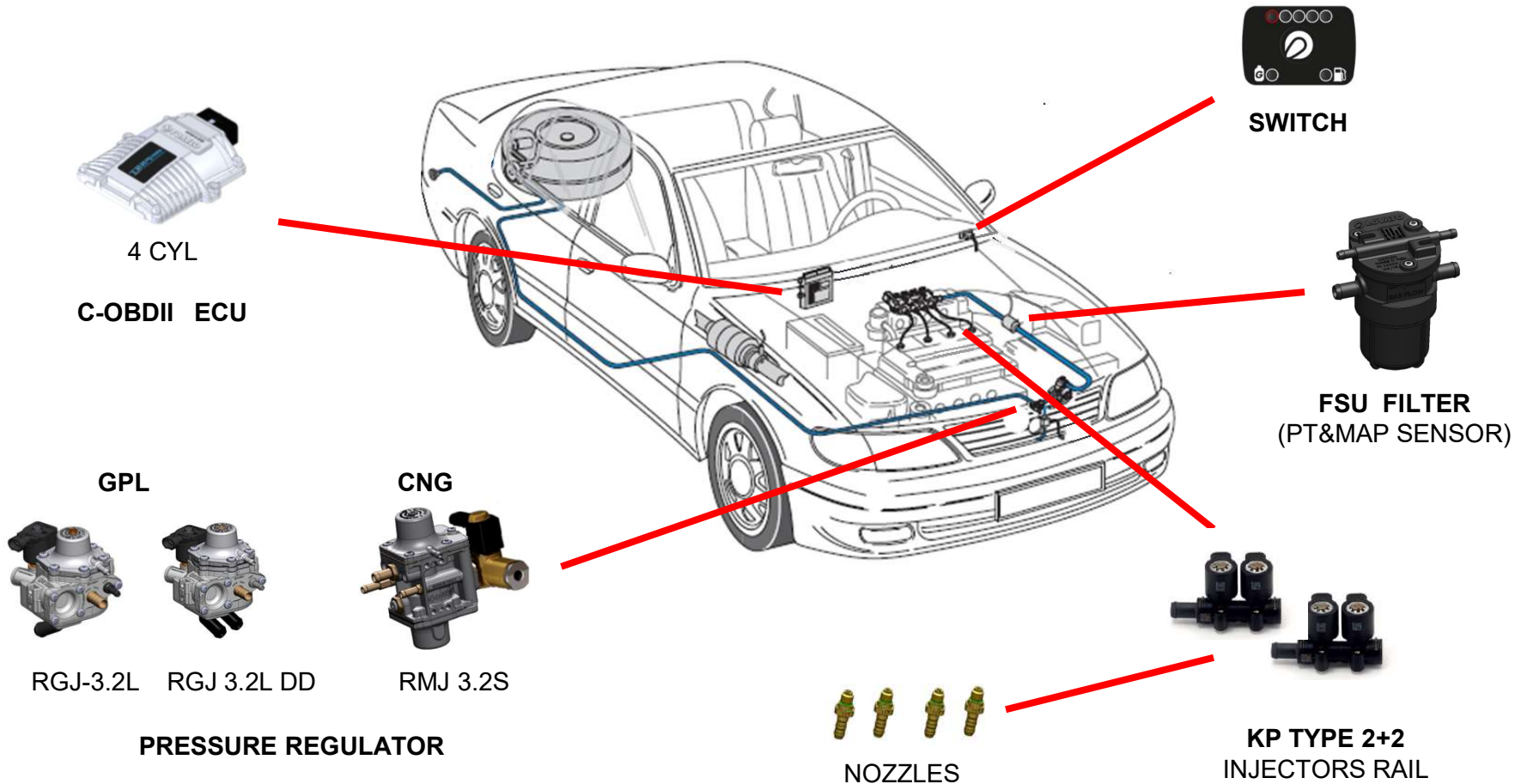


EP TYPE 2+2  
INJECTORS RAIL

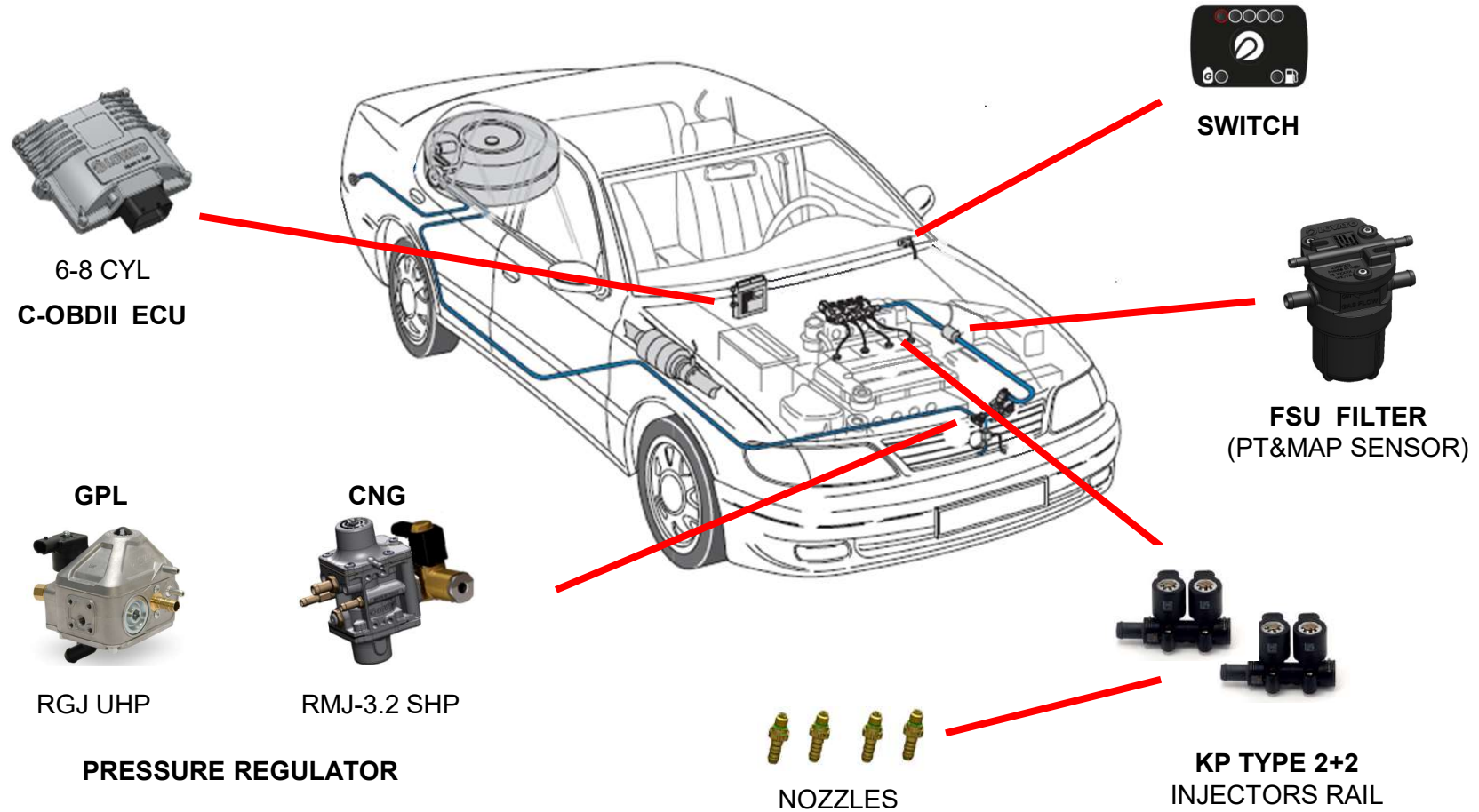
# SMART ExR: medium high



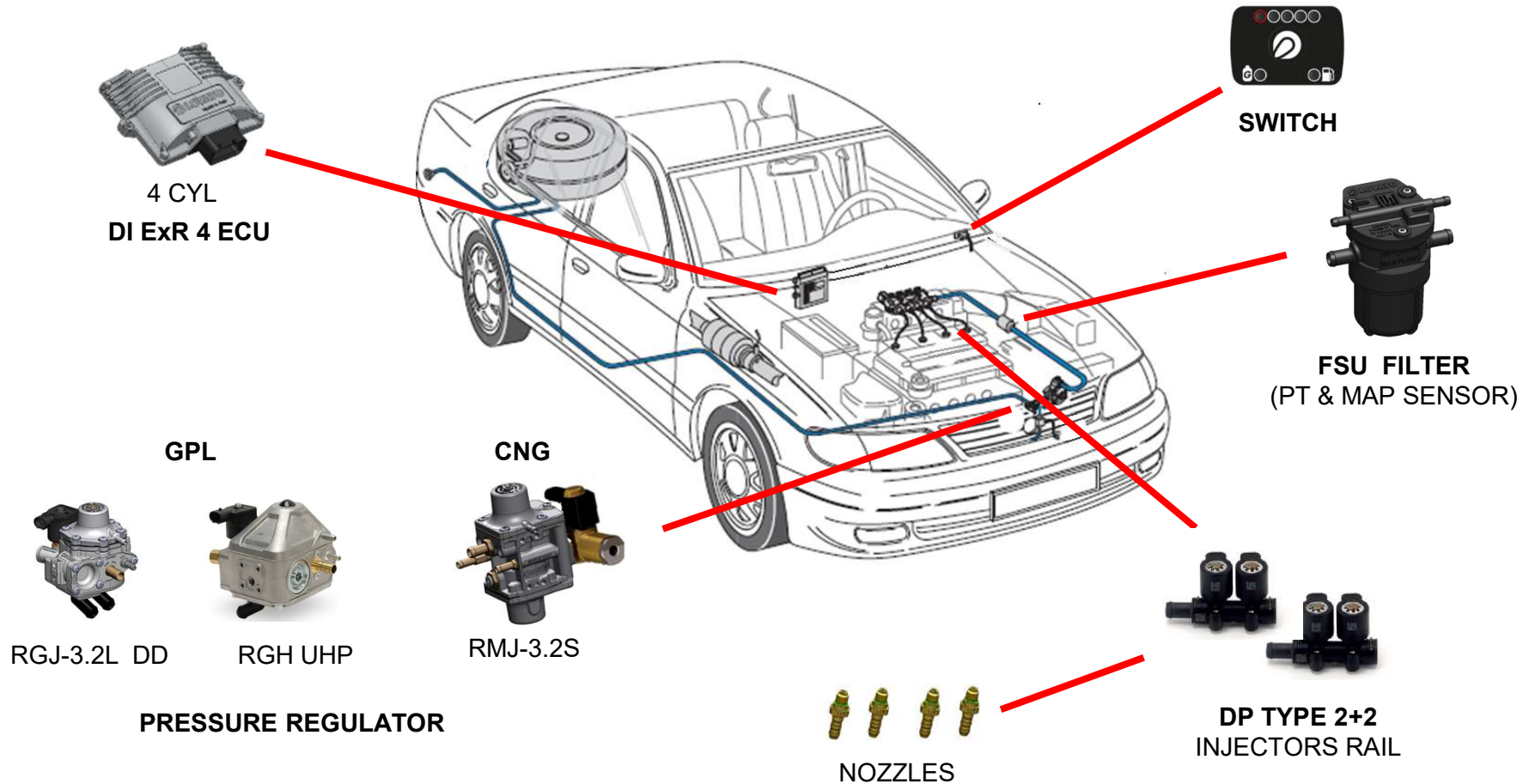
# C-OBDII 4: High Level



# C-OBDII 6-8: High Level



# DI ExR 4



# DI ExR 6-8



6-8 CYL  
DI ExR 8 ECU

GPL



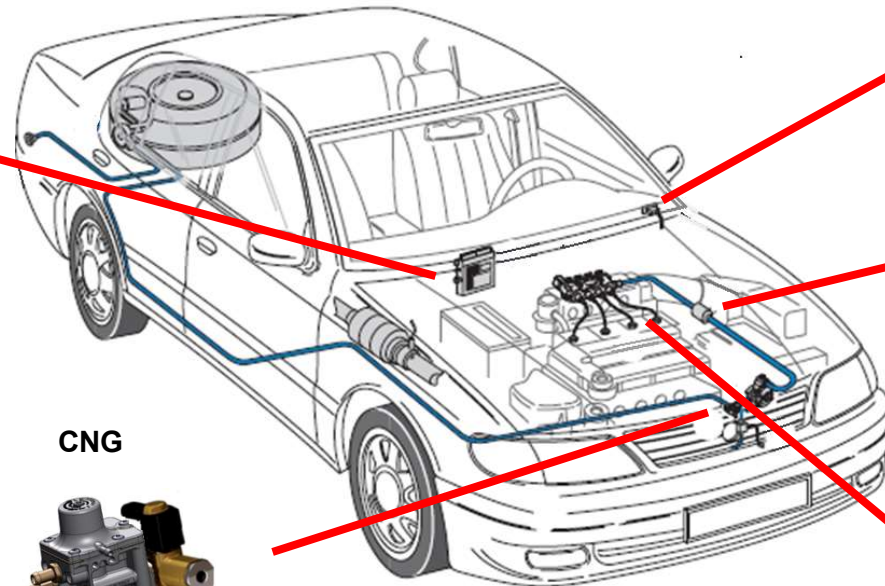
RGJ UHP

PRESSURE REGULATOR

CNG



RMJ 3.2S HP



SWITCH



FSU FILTER  
(PT&MAP SENSOR)



DP TYPE 2+2  
INJECTORS RAIL







NOZZLES



# 4 CYL LPG MINIKIT






	ECU	INJ	SENSOR FILTER	REDUCER	FW/SF
<b>HIGH DD</b> 	C-OBDII	KP (2+2)	FSU PT-MAP	RGJ 3.2L DD	ADV
<b>HIGH</b> 	C-OBDII	KP (2+2)	FSU PT-MAP	RGJ 3.2L	ADV
<b>MEDIUM</b> 	SMART ExR	KP (2+2)	FSU PT-MAP	RGJ 3.2L	ADV
	SMART ExR	EP (2+2)	PT-MAP + Filter (FSU)	RGJ 3.2L	ADV
<b>ENTRY</b> 	EGO	EP (4)	PT-MAP + Filter (line)	RGJ 3.2L	STD



# 4 CYL LPG MINIKIT





	ECU	INJ	SENSOR FILTER	REDUCER	FW/SW
<b>HIGH</b> 	C-OBD	KP (2+2)	FSU PT-MAP	RMJ-3.2S w/o man	ADV
<b>MEDIUM</b>	SMART ExR	KP (2+2)	PT-MAP + Filter (line)	RMJ-3.2S w/o man	ADV
	SMART ExR	EP (2+2) new	PT-MAP + Filter (line)	RMJ C w/o man	ADV
<b>ENTRY</b> 	EGO	EP (4) new	PT-MAP + Filter (line)	RMJ C w/o man	STD



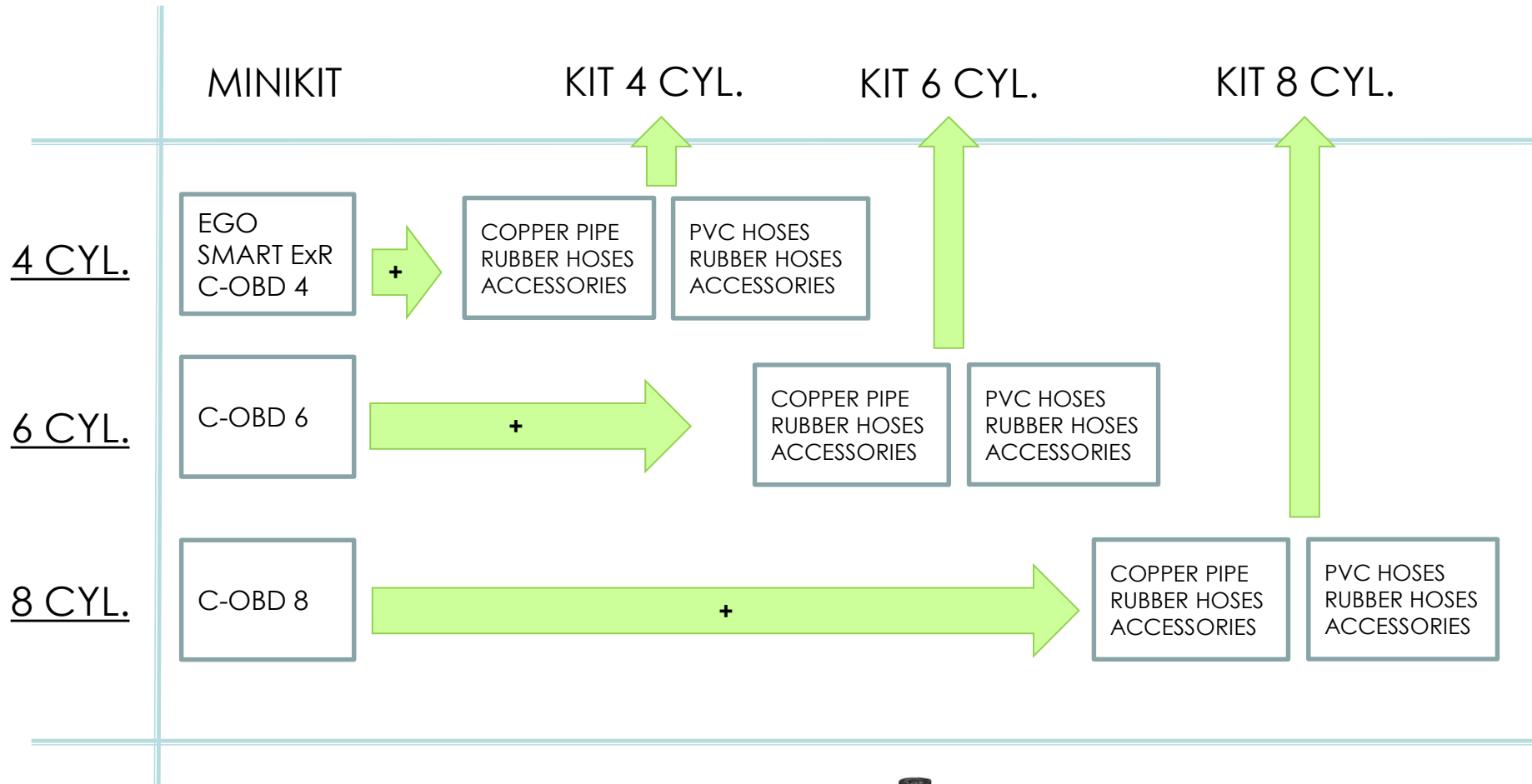
# 6-8 CYL MINIKIT



	ECU	INJ	SENSOR FILTER	REDUCER	FW/SF
<b>LPG HIGH</b> 	C-OBD 6	KP	FSU PT-MAP	RGJ UHP	ADV
	C-OBD 8	KP	FSU PT-MAP	RGJ UHP	ADV
<b>CNG HIGH</b> 	C-OBD	KP	FSU PT-MAP	RMJ-3.2S HP	ADV
	C-OBD	KP	FSU PT-MAP	RMJ-3.2S HP	ADV
OPTIONAL : FILTER WITHOUT SENSOR FOR SECOND BANK, IF REQUESTED					



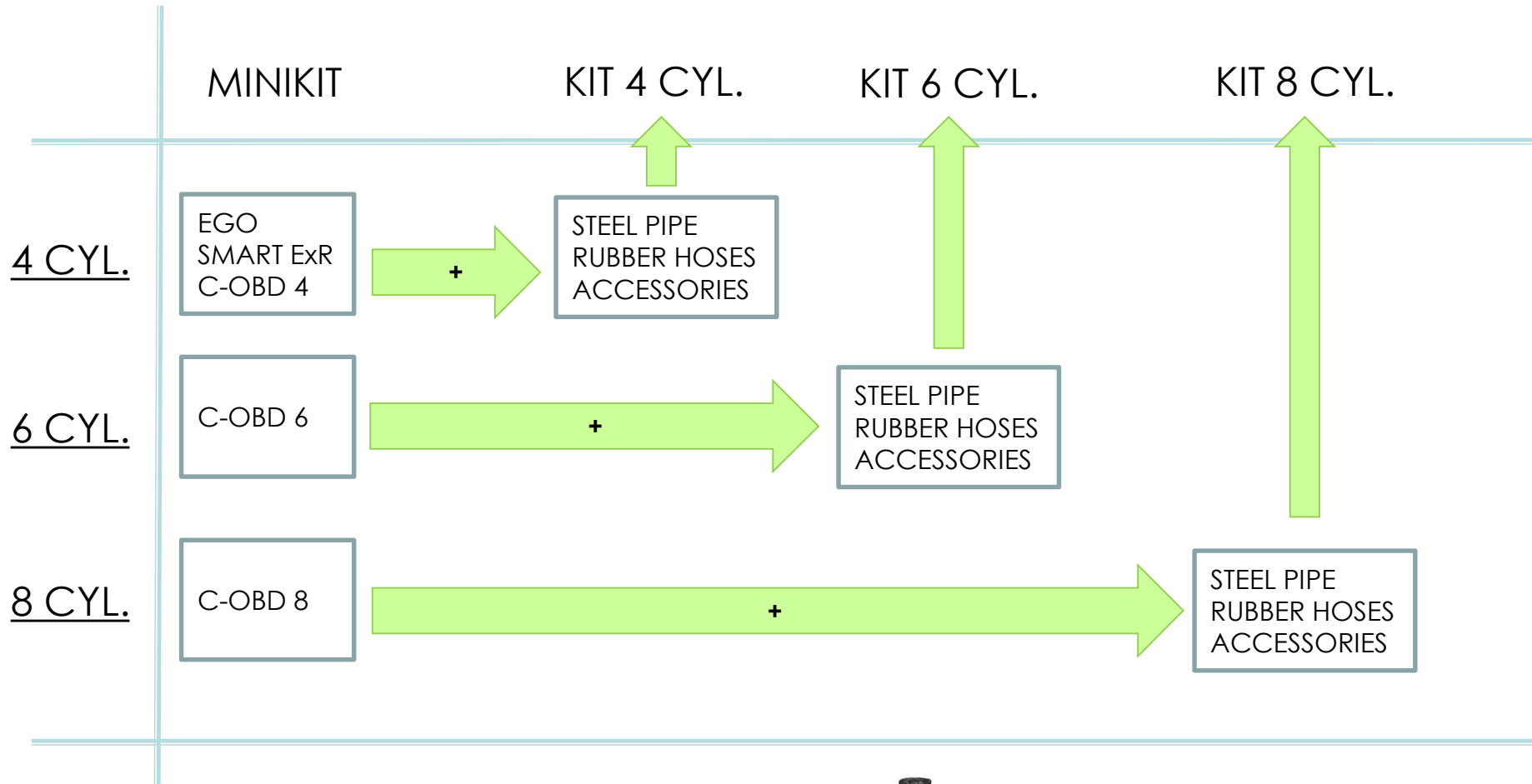
# LPG KIT



OPTIONAL: 3 CYL & 5 CYL (code 325101000)



# LPG KIT



OPTIONAL: 3 CYL & 5 CYL (code 325101000)



# LPG REDUCERS



	<b>RGJ-3.2L</b>	<b>RGJ-3.2L DD</b>	<b>RGJ UHP</b>
Nominal outlet pressure	1.0 bar	variable from 0.7 to 1.4 bar	1.05/1.25 bar
Engine power	Up to 120 kW	Up to 120 kW	Up to 200/240 kW

# CNG REDUCER



	<b>RMJ C</b>	<b>RMJ-3.2S</b>	<b>RMJ-3.2S HP</b>
Nominal outlet pressure	1.8 bar	1.8 bar	1.8 bar
Engine power	Up to 140 kW	Up to 140 kW	Up to 200 kW

# INJECTORS



## NOZZLES

sizes from A1 to H



universal A1 (with EP4)



## ENTRY



EP TYPE – RAIL 2/4 CYL  
with maintenance

## TOP



KP TYPE - RAIL 2/3 CYL

## D.I.



DP TYPE - RAIL 2 /3 CYL



# FILTERS & SENSORS



**FSU FILTER  
PT-MAP SENSOR**



**FSU FILTER  
PT SENSOR**



**FSU FILTER  
W/O SENSOR**

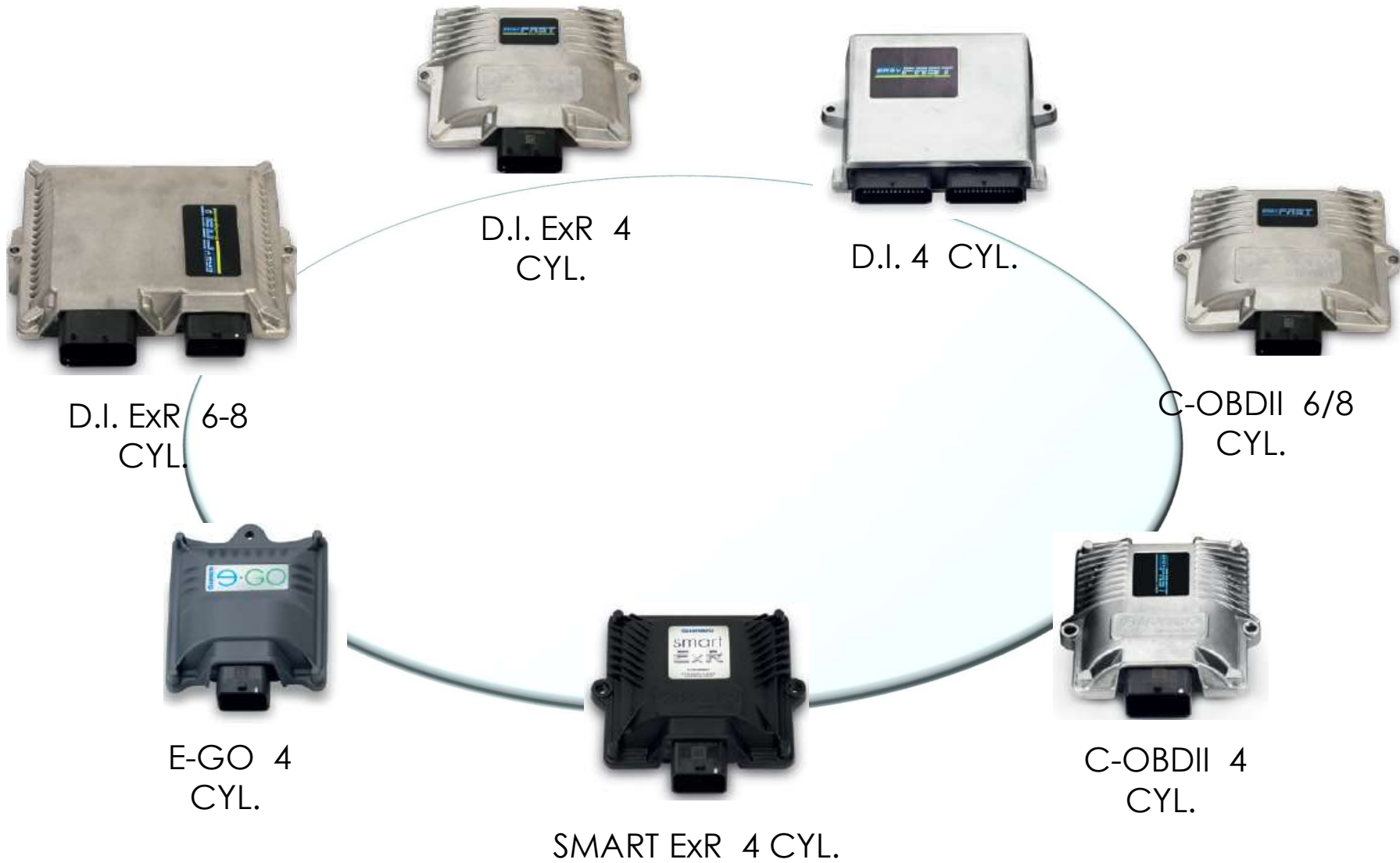


**PT-MAP SENSOR**



**IN LINE FILTER**

# ECUs



# MINIKIT: LPG & CNG



SYSTEM	CYL	CODE	DESCRIPTION
C-OBD 8 HP KP	8	604701303	MKIT GPL 8 C-OBDII KP UHP
C-OBD 6 HP KP	6	604701302	MKIT GPL 5-6 C-OBDII KP UHP
C-OBD 4 DD KP	4	604701300	MKIT GPL 4 C-OBDII KP DD
C-OBD 4 KP	4	604701300	MKIT GPL 4 C-OBDII KP
SMART ExR 4 KP	4	604701313	MKIT GPL 4 SMART ExR KP FSU
SMART ExR 4 EP	4	604701312	MKIT GPL 4 SMART ExR EP PTM
E-GO 4 EP	4	604701311	MKIT GPL 4 E-GO EP

609000005	TUBE PACKAGE LPG 4 COPPER D.6
609000006	TUBE PACKAGE LPG 4 TRM D.6
609000007	TUBE PACKAGE LPG 6/8 COPPER D.8
609000008	TUBE PACKAGE LPG 6/8 TRM D.8

609000001	TUBE PACKAGE CNG 4 STEEL D.6
609000002	TUBE PACKAGE CNG 4 COPPER D.6
609000003	TUBE PACKAGE CNG 6/8 STEEL D.6
609000004	TUBE PACKAGE CNG 6/8 COPPER D.6

SYSTEM	CYL	CODE	DESCRIPTION
C-OBD 8 HP KP	8	604800952	MKIT CNG 8 C-OBDII KP HP
C-OBD 6 HP KP	6	604800951	MKIT CNG 5-6 C-OBDII KP HP
C-OBD 4 KP	4	604800950	MKIT CNG 4 C-OBDII KP
SMART ExR 4 KP	4	604800959	MKIT CNG 4 SMART ExR KP
SMART ExR 4 EP	4	604800958	MKIT CNG 4 SMART ExR EP C
E-GO 4 EP	4	604800957	MKIT CNG 4 E-GO EP C

# MKIT & KIT: DIR. INJ.



SYSTEM	CYL	CODE	DESCRIPTION
DI 4	4	604701308	MKIT GPL 4 D.I. KP
DI 4 DD	4	604701309	MKIT GPL 4 D.I. KP DD
DI 4 HP	4	604701310	MKIT GPL 4 D.I. KP UHP
DI ExR 4 DD	4	604701304	MKIT GPL 4 D.I. ExR DP DD
DI ExR 4 HP	4	604701305	MKIT GPL 4 D.I. ExR DP UHP
DI ExR 6 HP	6	604701306	MKIT GPL 5-6 D.I. ExR DP UHP
DI ExR 8 HP	8	604701307	MKIT GPL 8 D.I. ExR DP UHP

609000005	TUBE PACKAGE LPG 4 COPPER D.6
609000006	TUBE PACKAGE LPG 4 TRM D.6
609000007	TUBE PACKAGE LPG 6/8 COPPER D.8
609000008	TUBE PACKAGE LPG 6/8 TRM D.8

609000001	TUBE PACKAGE CNG 4 STEEL D.6
609000002	TUBE PACKAGE CNG 4 COPPER D.6
609000003	TUBE PACKAGE CNG 6/8 STEEL D.6
609000004	TUBE PACKAGE CNG 6/8 COPPER D.6

SYSTEM	CYL	CODE	DESCRIPTION
DI 4	4	604800956	MKIT CNG 4 D.I. KP
DI ExR 4	4	604800953	MKIT CNG 4 D.I. ExR DP
DI ExR 6 HP	6	604800954	MKIT CNG 5-6 D.I. ExR DP HP
DI ExR 8 HP	8	604800955	MKIT CNG 8 D.I. ExR DP HP

# Components & Spare Parts



**For single components, accessories, spare parts,  
and maintenance kits please refer to following link**

:

[http://www.lovatogas.com/public/170609-152244-Lovato\\_Catalogo%20Generale\\_2017\\_IT\\_.pdf](http://www.lovatogas.com/public/170609-152244-Lovato_Catalogo%20Generale_2017_IT_.pdf)